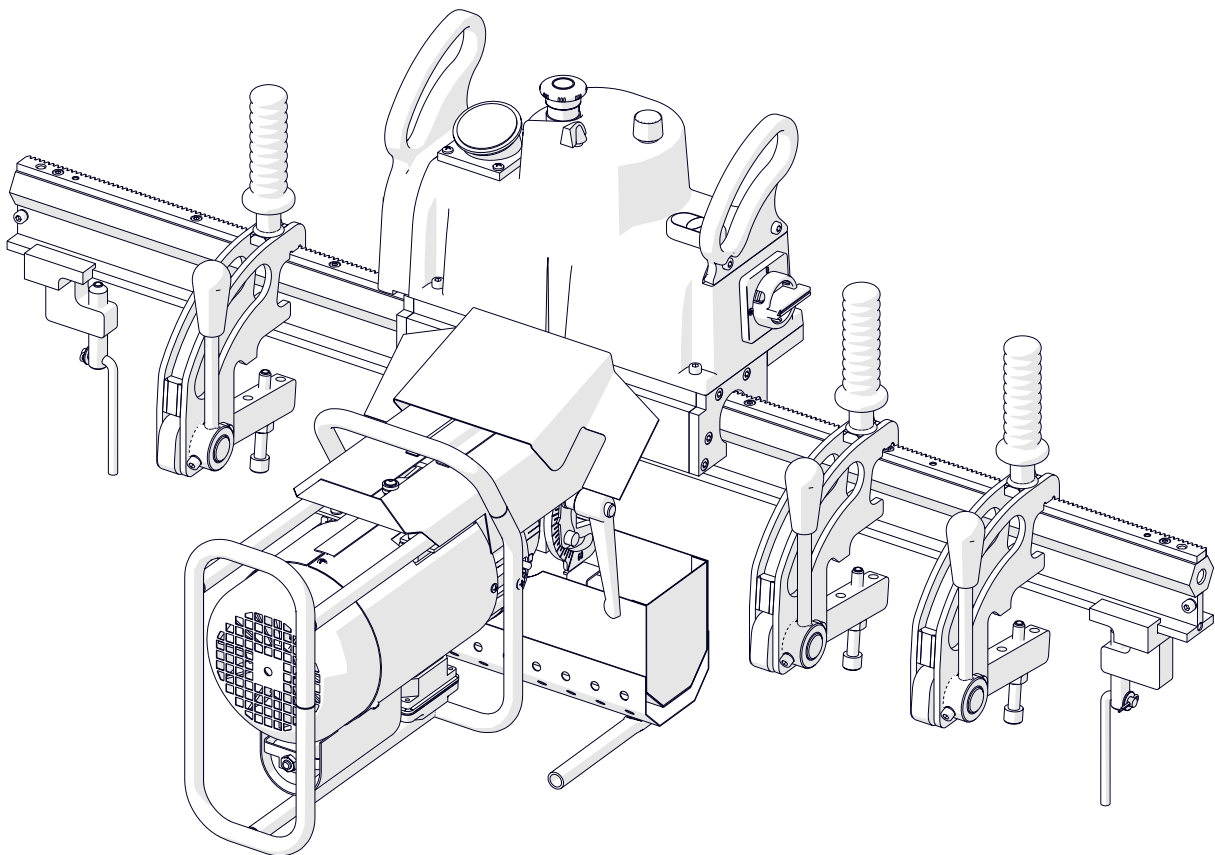


Parts list

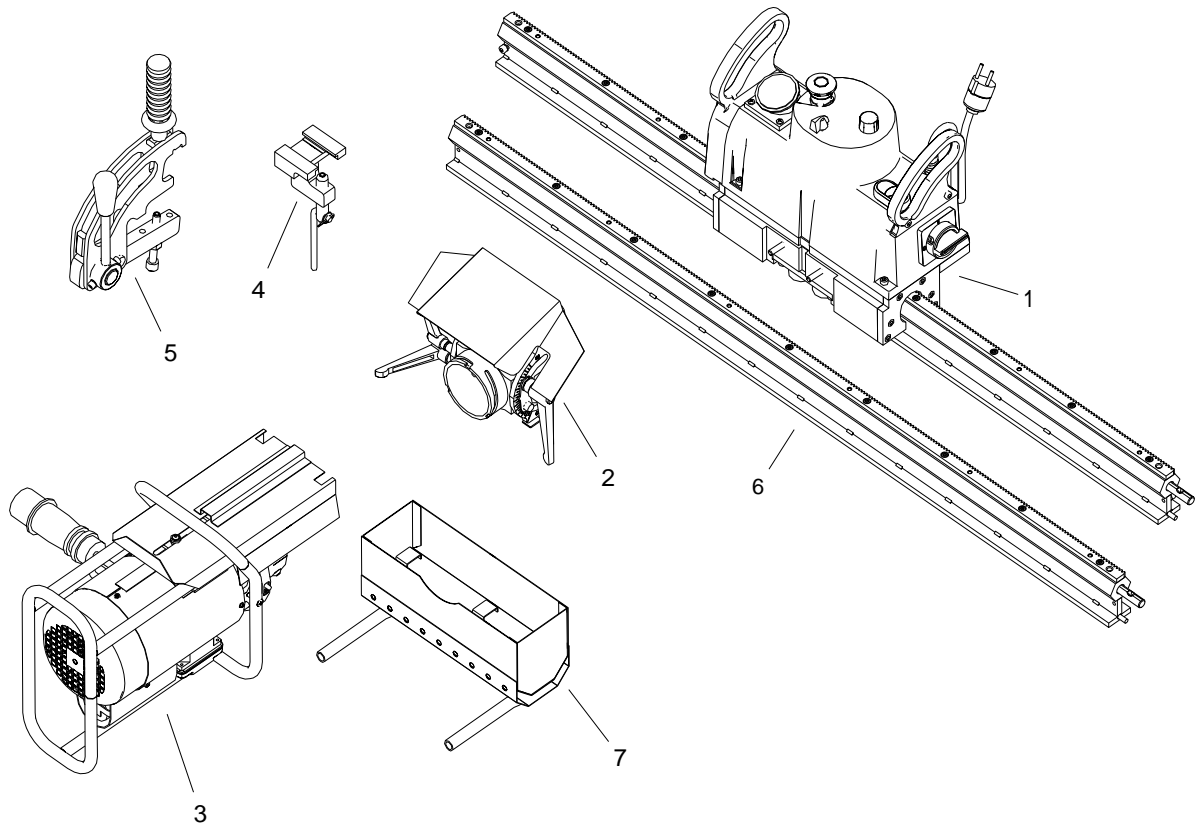
ABM-28

Auto Feed Bevelling Machine for Plate Edges

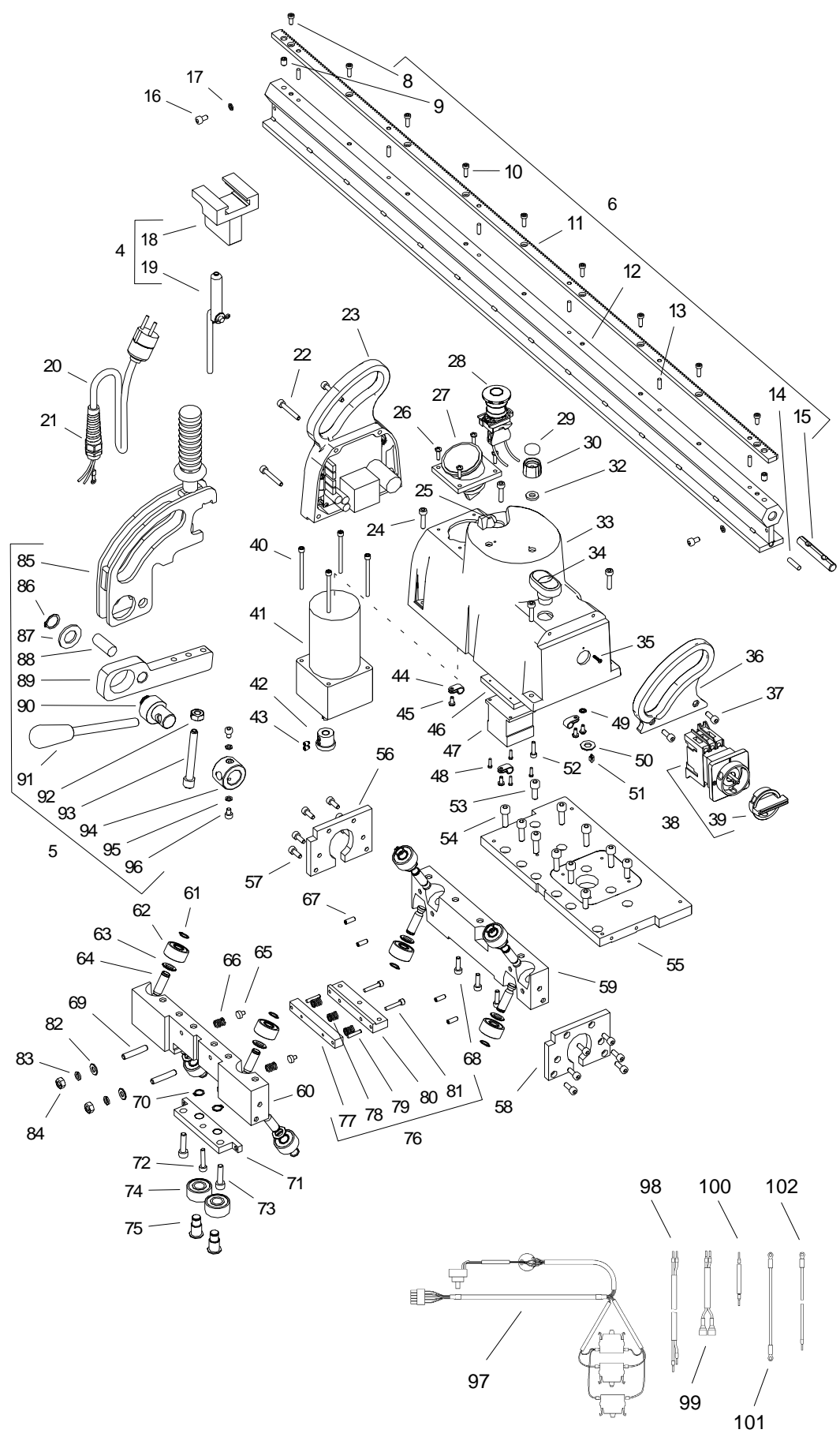


Unit 21 Empire Business Park, Enterprise Way, Burnley, Lancashire, BB12 6LT, Tel:
01706 229490 Fax: 01706 507347

www.steelbeast.co.uk Email: sales@jeisolutions.co.uk



ITEM	PART NUMBER	DESCRIPTION	Q-TY
1	WOZ-0518-01-00-00-0	CARRIAGE ON A GUIDE SEGMENT ASSY	1
2	WSP-0518-03-00-00-0	MILLING UNIT SUPPORT FOR BEVELLING 10-35 MM THICK PLATES AT -60° TO $+60^{\circ}$ ASSY	1
3	ZSP-0518-02-00-00-0	MILLING UNIT ASSY	1
4	ZCS-0152-99-00-00-0	CLAMP FOR 10-35 MM THICK PLATES ASSY	2
5	UST-0152-99-02-00-0	TRACK CLAMP FOR 10-35 MM THICK PLATES ASSY	3
6	ZSP-0518-13-00-00-0	GUIDE SEGMENT ASSY	1
7	PJM-0518-06-00-00-0	CHIPS CONTAINER ASSY	1
-	SKR-0518-12-00-00-0	WOODEN BOX ASSY	1
-	KLC-000040	13/17 FLAT KEY	1
-	KLC-000007	4 MM HEX WRENCH	1
-	KLC-000008	5 MM HEX WRENCH	1
-	KLC-000009	6 MM HEX WRENCH	1
-	KLC-000011	8 MM HEX WRENCH	1
-	PJM-000010	TOOLS CONTAINER	1
-	TRN-000025	AUTOTRANSFORMER 115V/230V	1



This document is protected by copyrights.

Copying, using, or distributing without permission of JEI Group Ltd is prohibited.

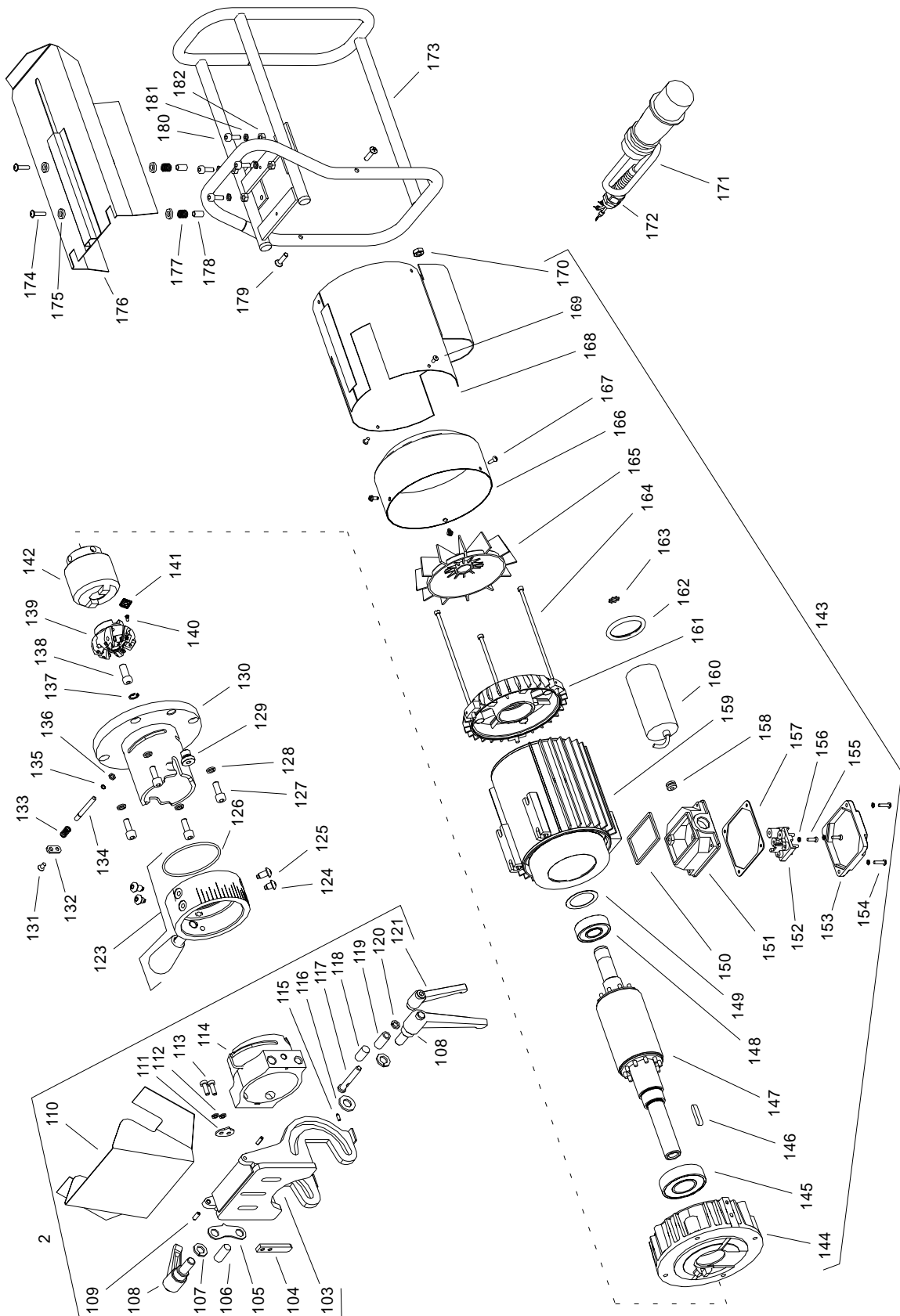
ITEM	PART NUMBER	DESCRIPTION	Q-TY
8	SRB-000340	HEX SOCKET LOW HEAD BOLT M5x12	2
9	WKR-000069	HEX SOCKET SET SCREW WITH CONE POINT M8x12	2
10	SRB-000174	HEX SOCKET LOW HEAD BOLT M5x16	7
11	LST-0518-13-01-01-0	GEAR RACK	1
12	SGM-0518-13-10-00-0	GUIDE SEGMENT	1
13	KLK-000047	DOWEL PIN 5n6x16	6
14	KLK-000061	DOWEL PIN 6n6x25	1
15	LCZ-0152-04-01-03-1	GUIDE SEGMENT CONNECTOR	1
16	SRB-000101	HEX SOCKET BOLT M6x10	2
17	PDK-000046	SPRING WASHER 6.1	2
18	ZCS-0152-04-02-10-1	CLAMP WELDED	1
19	SRB-0152-04-02-20-1	CLAMPING SCREW WITH BALL ASSY	1
20	SZN-0212-10-02-00-2	POWER CORD 230V 3x1.5 WITH STRAIN RELIEF ASSY	1
20	PWD-0212-10-02-00-6	POWER CORD 230V 3x1.5 WITH STRAIN RELIEF ASSY (INDIA)	1
20	PWD-0518-99-00-02-0	POWER CORD 230V ASSY (JAPAN)	1
21	DLW-000007	CABLE GLAND WITH STRAIN RELIEF PG11	1
22	SRB-000124	HEX SOCKET BOLT M6x40	4
23	ZSP-0152-01-05-00-0	ELECTRONIC CONTROL SYSTEM ASSY	1
24	SRB-000115	HEX SOCKET BOLT M6x25	4
25	PKT-000013	TRAVEL DIRECTION SWITCH	1
26	WKR-000197	CROSS RECESSED PAN HEAD SCREW M5x16	4
27	GNZ-000023	SOCKET 16A	1
28	WZK-0152-01-09-05-0	EMERGENCY SWITCH WITH WIRES	1
29	ZLP-000011	KNOB PLUG fi20	1
30	PKT-000022	POTENTIOMETER KNOB fi20	1
32	WKL-0152-01-09-10-0	POTENTIOMETER BRAKING INSERT	1
33	OBD-0152-01-09-01-1	CARRIAGE HOUSING	1
34	NPD-000004	DUAL PUSHBUTTON DRIVE M22	1
35	WKR-000379	PAN HEAD SCREW FOR PLASTIC 2.9x16	2
36	UCW-0152-01-10-00-1	CARRIAGE HANDLE	1
37	SRB-000106	HEX SOCKET BOLT M6x16	2
38	RZL-000005	3-GEAR DISCONNECTOR 25A	1
39	PKT-000024	RED YELLOW HANDLE	1
40	SRB-000219	HEX SOCKET BOLT M5x65	4
41	SLN-000062	MOTOR	1
42	KOL-0152-01-04-02-0	DRIVE WHEEL z=16, m=1,5	1
43	WKR-000022	HEX SOCKET SET SCREW WITH DOG POINT M6x8	2
44	OBJ-000001	CABLE HOLDER 9	3
45	WKR-000450	CROSS RECESSED PAN HEAD SCREW M5x10	4
46	PDS-0152-01-09-02-0	CONTACTOR BASE	1
47	STY-000003	MOTOR CONTACTOR	1
48	WKR-000179	CROSS RECESSED PAN HEAD SCREW M3x12	4
49	PDK-000063	EXTERNAL TOOTH LOCK WASHER 5.3	1
50	PDK-000026	ROUND WASHER 10.5	1
51	BLD-000002	CABLE CLAMP A2	1
52	SRB-000086	HEX SOCKET BOLT M5x20	2
53	SRB-000148	HEX SOCKET BOLT M8x20	3

ITEM	PART NUMBER	DESCRIPTION	Q-TY
54	SRB-000153	HEX SOCKET BOLT M8x25	8
55	PLY-0152-01-06-00-0	CARRIAGE MAIN PLATE	1
56	LCZ-0152-01-08-00-0	CARRIAGE GUIDE LEFT CONNECTOR	1
57	SRB-000106	HEX SOCKET BOLT M6x16	12
58	LCZ-0152-01-07-00-0	CARRIAGE GUIDE RIGHT CONNECTOR	1
59	LST-0152-01-02-01-0	BACK BAR	1
60	LST-0518-01-01-01-0	FRONT BAR	1
61	PRS-000003	EXTERNAL RETAINING RING 12z	8
62	LOZ-000091	DOUBLE-ROW ANGULAR BALL BEARING 12x32x15.9	8
63	PDK-000104	SMALL ROUND WASHER 13	8
64	WLK-0152-01-01-02-0	GUIDING BEARING SHAFT	8
65	PRT-0152-01-01-06-0	SPRING ROD	2
66	SPR-0130-20-07-00-0	SPRING 1.5x10x15	2
67	WKR-000051	HEX SOCKET SET SCREW WITH FLAT POINT M6x16	4
68	SRB-000114	HEX SOCKET BOLT M6x20	3
69	SRB-000380	TWO-SIDED BOLT M8x25	2
70	PRS-000003	EXTERNAL RETAINING RING 12z	2
71	OBS-0152-01-01-03-0	THRUST BEARING HOLDER	1
72	SRB-000118	HEX SOCKET BOLT M6x30	1
73	SRB-000155	HEX SOCKET BOLT M8x30	2
74	LOZ-000092	DOUBLE-ROW ANGULAR BALL BEARING 15x35x15.9	2
75	WLK-0152-01-01-04-0	THRUST BEARING SHAFT	2
76	AMR-0152-01-03-00-1	SHOCK ABSORBER ASSY	1
77	SLZ-0152-01-03-02-1	SHOCK ABSORBER SLIP	1
78	SPR-0130-20-07-00-0	SPRING 1.5x10x15	3
79	KLK-000096	PIN 5n6x22	2
80	KRP-0152-01-03-01-1	SHOCK ABSORBER BODY	1
81	SRB-000087	HEX SOCKET BOLT M5x25	2
82	PDK-000022	ROUND WASHER 8.4	2
83	PDK-000051	SPRING WASHER 8.2	2
84	NKR-000019	HEX NUT M8	2
85	KRP-0152-04-04-01-3	TRACK CLAMP BODY WELDED	1
86	PRS-000011	EXTERNAL RETAINING RING 20z	1
87	PDK-000148	ROUND WASHER 21	1
88	KLK-000098	PIN 16n6x40	1
89	RAM-0152-04-04-02-0	TRACK CLAMP ARM	1
90	LCZ-0152-04-04-03-0	TRACK CLAMP ECCENTRIC	1
91	DZW-0152-04-04-05-0	LEVER ASSY	1
92	NKR-000002	HEX NUT M10	1
93	SRB-0152-04-05-00-0	SPECIAL SCREW WITH BALL	1
94	TLJ-0152-04-04-04-0	ECCENTRIC SLEEVE	1
95	PDK-000046	SPRING WASHER 6.1	2
96	SRB-000291	HEX SOCKET BOLT M6x8	2
97	WZK-0152-01-09-03-0	CONTROLLER WIRES ASSY	1
98	WZK-0152-01-09-04-0	MAIN SWITCH-CONTACTOR WIRES ASSY	1
99	WZK-0152-01-09-06-0	MOTOR SOCKET WIRES	1
100	PWD-0152-01-09-07-0	CONTACTOR WIRE ASSY	1
101	PWD-0152-01-09-08-0	BODY GROUNDING WIRE ASSY	1

This document is protected by copyrights.

Copying, using, or distributing without permission of JEI Group Ltd is prohibited.

ITEM	PART NUMBER	DESCRIPTION	Q-TY
102	PWD-0152-01-09-09-0	MOTOR SOCKET GROUNDING WIRE	1



This document is protected by copyrights.

Copying, using, or distributing without permission of JEI Group Ltd is prohibited.

ITEM	PART NUMBER	DESCRIPTION	Q-TY
103	WSP-0518-03-01-00-0	FIXED 120° SUPPORT WELDED	1
104	WPS-0518-03-01-30-0	MOVABLE PIN	1
105	WSK-0518-03-01-50-0	ANGLE INDICATOR	1
106	KLK-000127	DOWEL PIN 12m6x30	1
107	PDK-000053	SPRING WASHER 12.2	2
108	RKJ-000056	HANDLEVER M12	2
109	KLK-000126	SPRING PIN 5x14	2
110	OSL-0518-03-01-70-0	SUPPORT COVER ASSY	1
111	WSK-0518-03-01-40-0	HEIGHT INDICATOR	1
112	PDK-000046	SPRING WASHER 6.1	2
113	SRB-000327	HEX SOCKET LOW HEAD BOLT M6x16	2
114	WSP-0518-03-02-00-0	MOVABLE SUPPORT WELDED	1
115	WKR-000457	HEX SOCKET SET SCREW WITH DOG POINT M4x10	1
116	PDK-000118	ROUND WASHER 13	1
117	BLD-0518-03-01-20-0	TUBE LOCK	1
118	KLK-000094	DOWEL PIN 12n6x24	1
119	TLJ-0518-03-01-60-0	LONG SLEEVE	1
120	PDK-000051	SPRING WASHER 8.2	1
121	RKJ-000010	HANDLEVER M8	1
123	PRS-0518-99-00-01-0	DRIVING RING ASSY	1
124	WKR-0152-02-02-07-0	SPECIAL SCREW M8x12	3
125	WKR-0152-02-02-06-0	SPECIAL SCREW M6x16	3
126	PRS-000232	SEAL O-RING 77x3	1
127	SRB-000148	HEX SOCKET BOLT M8x20	4
128	PDK-000051	SPRING WASHER 8.2	4
129	KRK-000009	PLUG 1/4"	1
130	KRP-0518-02-01-20-0	MILLING HEAD BODY WELDED	1
131	WKR-000155	CROSS RECESSED COUNTERSUNK HEAD SCREW M5x10	1
132	PLY-0152-02-02-04-1	MILLING HEAD LOCK PLATE	1
133	SPR-0152-02-02-05-0	SPRING 8x14.5x0.8	1
134	BLD-0152-02-02-03-1	MILLING HEAD LOCK	1
135	PRS-000250	EXTERNAL PROTECTIVE SPRING RING 6x0.8	1
136	PRS-0152-02-02-08-1	MILLING HEAD LOCK RING	1
137	PRS-000260	INTERNAL RETAINING RING 14w	1
138	SRB-0152-02-11-00-0	SPECIAL LOW HEAD HEX SOCKET BOLT M10x25	1
139	GLW-000013	MILLING HEAD ASSY	1
140	SRB-000311	MOUNTING BOLT	7
141	PLY-000282	CUTTING INSERT	7
141*	PLY-000591	CUTTING INSERT	7
142	ZBI-0152-02-04-00-1	MILLING HEAD DOG	1
143	SLN-0518-02-02-00-0	MAIN MOTOR ASSY 230V	1
144	TRC-0518-02-02-01-2	MAIN MOTOR DISK MANUFACTURE	1
145	LOZ-000140	BALL BEARING 30x62x16	1
146	WPS-000015	PRISMATIC PIN 6x6x32	1
147	WRN-000049	ROTOR	1

This document is protected by copyrights.

Copying, using, or distributing without permission of JEI Group Ltd is prohibited.

ITEM	PART NUMBER	DESCRIPTION	Q-TY
148	LOZ-000139	BALL BEARING 20x47x14	1
149	PDK-000040	CLEARANCE REMOVAL SPRING WASHER	1
150	USZ-000030	SEAL	1
151	PDS-000033	TERMINAL BOX BASE	1
152	TBL-000032	4-TERMINAL PLATE	1
153	PKR-000045	TERMINAL BASE COVER	1
154	WKR-000187	CROSS RECESSED PAN HEAD SCREW M4x16	2
155	WKR-000210	PAN HEAD SCREW M4x12	2
156	PDK-000043	SPRING WASHER 4.1	4
157	USZ-000039	TERMINAL BOX COVER SEAL	1
158	PRP-000003	SNAP BUSHING LA6	1
159	KDL-000007	STATOR BODY 230V	1
160	KND-000116	CAPACITOR 40uF	1
161	TRC-000003	MOTOR BEARING DISK P	1
162	PRS-000235	SEAL O-RING 44x6	1
163	PDK-000065	EXTERNAL TOOTH LOCK WASHER 8.4	1
164	SRB-000349	DRAWBOLT M5x165	3
165	WNT-000008	FAN	1
166	OSL-000184	FAN COVER	1
167	WKR-000467	SELF-TAPPING SCREW M4x12	3
168	OSL-0518-02-02-02-0	MAIN MOTOR COVER ASSY	1
169	WKR-000091	HEX SOCKET BUTTON HEAD SCREW M4x8	2
170	NKR-000036	LOW HEX NUT M8	1
171	PWD-0518-02-04-00-0	MAIN MOTOR CABLE ASSY	1
172	DLW-000007	CABLE GLAND WITH STRAIN RELIEF	1
173	UCW-0518-02-03-00-0	HANDLE ASSY	1
174	WKR-000395	HEX SOCKET ROUND HEAD SCREW WITH FLANGE M5x20	2
175	PDK-000151	NYLON WASHER SR1940	4
176	OSL-0518-02-05-00-0	CHIPS GUARD ASSY	1
177	SPR-000030	PUSH SPRING	2
178	TLJ-0399-06-00-00-0	BOTTOM SLEEVE	2
179	WKR-000463	CROSS RECESSED OVAL COUNTERSUNK HEAD SCR. M6x22	2
180	SRB-000106	HEX SOCKET BOLT M6x16	4
181	PDK-000046	SPRING WASHER 6.1	4
182	NKR-000017	HEX NUT M6	4

*optional