



# Albatross Family

The Albatross series is a range of passive and automatic flip up welding helmets. All the helmets provide a complete and flexible system, which can be fitted with hard hats and fresh air units. The shell is made from extremely light and durable material, offering increased comfort to the wearer over long periods of time, whilst the headgear is comfortable easy to adjust. The helmets are delivered fully assembled and are ready to use. CE approved.



## Albatross 1000 – 60 x 100

The ESAB Albatross 1000 has a 'flip up' front in to which a welding glass is fitted. There is also a protective plastic lens that gives facial protection when the front is in the up position. Welding glass 10 DIN included in all helmets.

Albatross 1000 60 x 110 standard	0000 595 200
Albatross 1000 90 x 110 standard	0349 502 204
Albatross 1000 60 x 110 prepared for fresh air	0700 000 352
Albatross 1000 90 x 110 prepared for fresh air	0700 000 351
Albatross 1000 60 x 110 for concept hard hat	0000 595 205
Albatross 1000 90 x 110 for concept hard hat	0349 502 205



## Albatross 4000X

The Albatross 4000X is a combination of a welding helmet and a grinding visor. The large panoramic window gives an excellent overview and good protection whilst grinding. The welding flip up is fitted with a shade 10 welding glass, 90 x 110.

Albatross 4000X standard	0700 000 315
Albatross 4000X for Fresh Air	0700 000 316
Albatross 4000X for hard hat	0700 000 317
Albatross 4000X prepared for air & hard hat	0700 000 318



## Albatross 4000X Automatic

The Albatross 4000X 9-13 Automatic is a combined ADF helmet and a grinding visor. The ADF is fitted in a flip up front which opens to a panoramic grinding visor (grade B impact resistance) when lifted. The ADF offers a shade setting between DIN 9 and DIN 13.

Albatross 4000X 9-13 Auto standard	0700 000 319
Albatross 4000X 9-13 Auto prepared for Air	0700 000 320
Albatross 4000X 9-13 Auto for hard hat	0700 000 321
Albatross 4000 9-13 Auto for hard hat and Air	0700 000 322

# Albatross Range Prepared for Air



## Albatross Range Prepared for Eco Air

The ESAB Albatross is delivered for use with Eco Air PAPP system. For the standard fresh air system the helmet is delivered with an over the head air duct, ready to use.

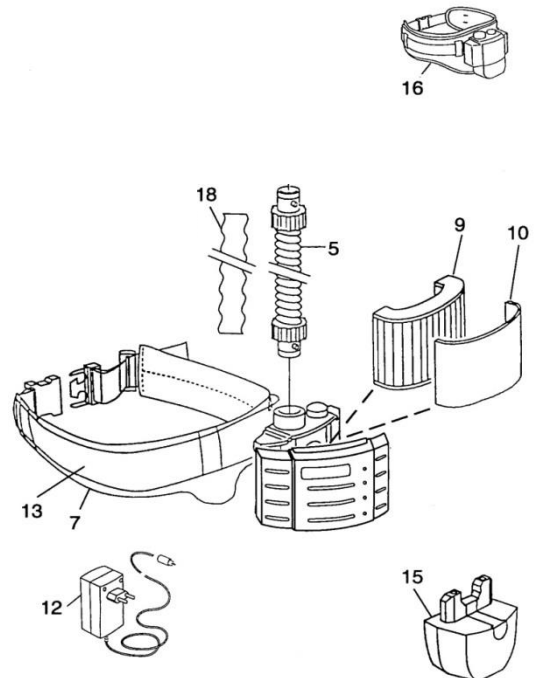
Albatross 4000X Auto prepared for fresh air	0700 000 320
Albatross 4000X prepared for fresh air	0700 000 316
Albatross 1000 60 x 110 for fresh air	0700 000 352
Albatross 1000 90 x 110 for fresh air	0700 000 351

Eco Air	0700 002 175
Eco Air hose adapter	0700 002 176
Eco Air hose	0468 127 011



## Eco Air Spares

5 Air hose	0468 127 011
5 Air hose 1m	0700 002 055
5 Air hose heavy duty	0700 002 081
5 Air hose Albatross 3000X only	0700 002 032
7 Comfort pad Eco Air & Air 160	0700 002 021
9 P3 filter – Eco Air & Air 160	0700 002 024
9 P2 filter – Eco Air & Air 160	0700 002 018
9 P2 filter carbon – Eco Air & Air 160	0700 002 041
10 Pre filter Pk 5 – Eco Air & Air 160-	0700 002 023
10 Carbon pre filter Pk 10 – Eco Air & Air 160	0700 002 040
12 Intelligent charger Eco Air & Aristo Air	0700 002 165
13 Waist belt Eco Air – Air 160	0700 002 027
15 Battery Eco Air	0700 002 144
15 Battery Large Eco Air	0700 002 014
16 Eco Air complete	0700 002 175
17 Proban hose cover	0349 501 071
* Eco Air Motor	0700 000 393



# Albatross Range Prepared for Hard Hat

## Albatross Range for Concept Hard Hat

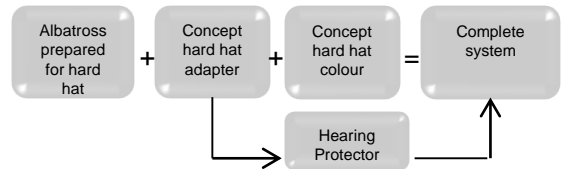
The Albatross can be attached to the Concept hard hat using a separate adapter. The helmet is delivered without the head gear, ready to assemble to the hard hat.

Albatross 4000X Auto for hard hat	0700 000 321
Albatross 4000X for hard hat	0700 000 317
Albatross 1000 60 x 110 for hard hat	0000 595 205
Albatross 1000 90 x 110 for hard hat	0349 502 205

Hard Hat Adapter 0700 001 005

Hard Hat Concept Yellow	0700 000 052
Hard Hat Concept White	0700 000 135
Hard Hat Concept Blue	0700 000 136
Hard Hat Concept Red	0700 000 138
Hard Hat Concept Orange	0700 000 142

Hearing Protector SNR 26 0000 001 009  
Hearing Protector Radio SNR 26 0700 001 010



# Albatross 4000X Prepared for Hard Hat & Air

## Albatross 4000X for Hard Hat & Air (Concept)

The Albatross 4000X can be attached to the Concept hard hat using a separate adapter. The helmet is delivered without the head gear, prepared for air ready to assemble to the hard hat.

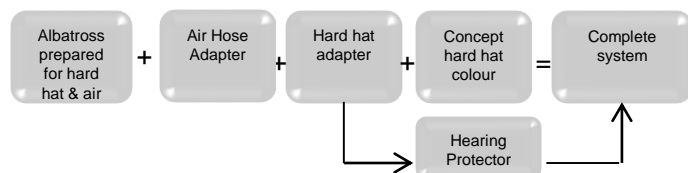
Albatross 4000X Auto for hard hat & fresh air	0700 000 322
Albatross 4000X for hard hat & fresh air	0700 000 318

Hard Hat Adapter 0700 001 005

Air hose adapter 0700 002 176

Hard Hat Concept Yellow	0700 000 052
Hard Hat Concept White	0700 000 135
Hard Hat Concept Blue	0700 000 136
Hard Hat Concept Red	0700 000 138
Hard Hat Concept Orange	0700 000 142

Hearing Protector SNR 26 0000 001 009  
Hearing Protector Radio SNR 26 0700 001 010

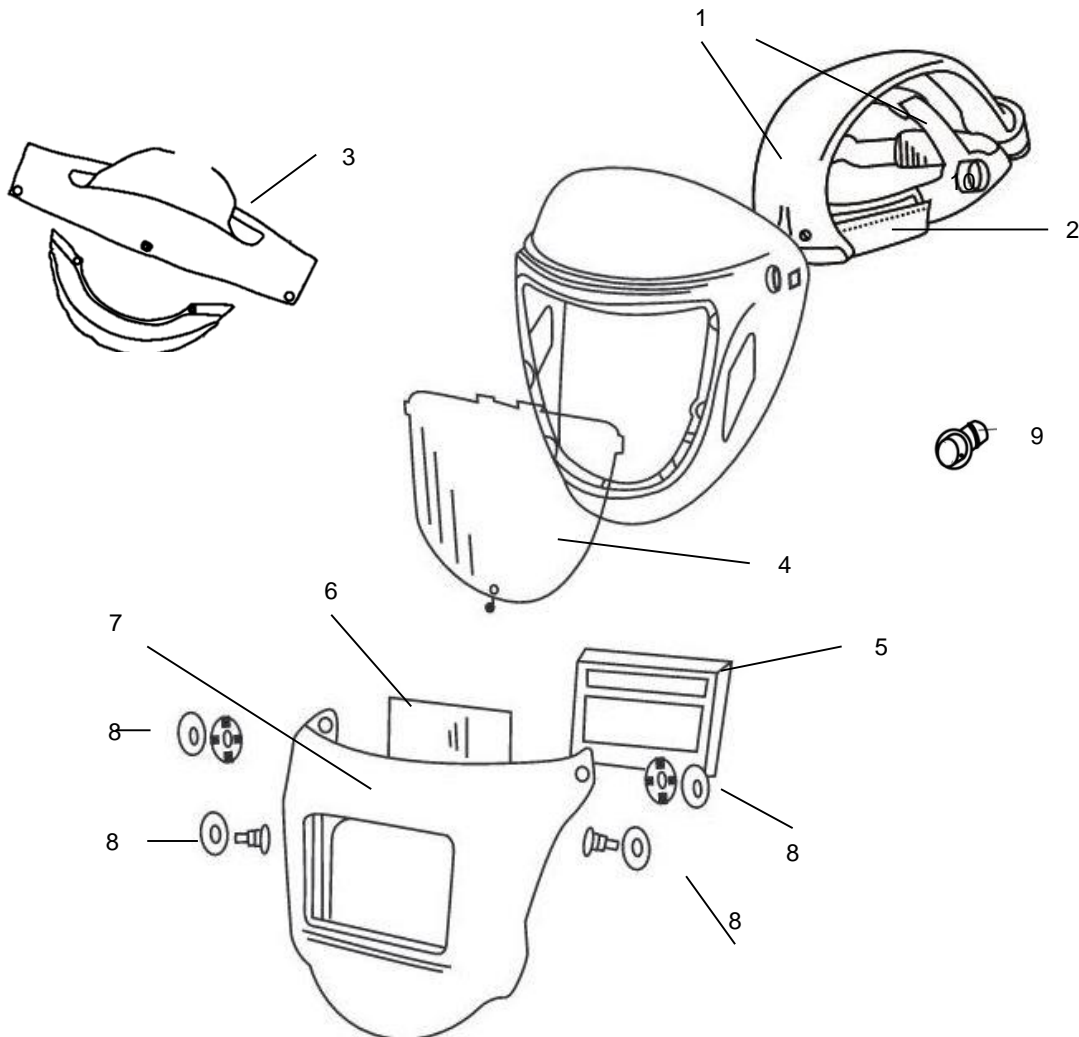


# Albatross 4000X



## Spares for Albatross 4000X Standard and Fresh Air for Eco Air

1 Head gear	0700 000 243
1 Head gear including air duct	0700 002 102
2 Sweat band	0700 000 244
2 Sweat band prepared for Air	0700 000 274
3 Head & Face Seal	0700 000 951
4 Inner visor (clear)	0700 000 238
5 Albatross ADF	0700 000 261
5 Filter lens DIN 10	0760 031 632
6 Cover lens 107 x 88	0700 000 277
7 Outer visor	0700 000 347
8 Hinge set for visor	0700 000 048
9 Adapter Eco Air	0700 002 176
* Inside Cover for ADF 51 x 108	0160 307 002
* Lens retainer	0700 000 237



# Albatross 4000X



## Spares for Albatross 4000X for Hard Hat & Hard Hat PAPR

1 Head gear

2 Albatross hard hat adapter

3 Albatross Lower face seal for PAPR hard hat

4 Albatross Upper face seal for PAPR hard hat

5 Air Hose Adapter for Eco Air

\* Air Hose kit 2 sided entry for Air Unit

0700 000 243

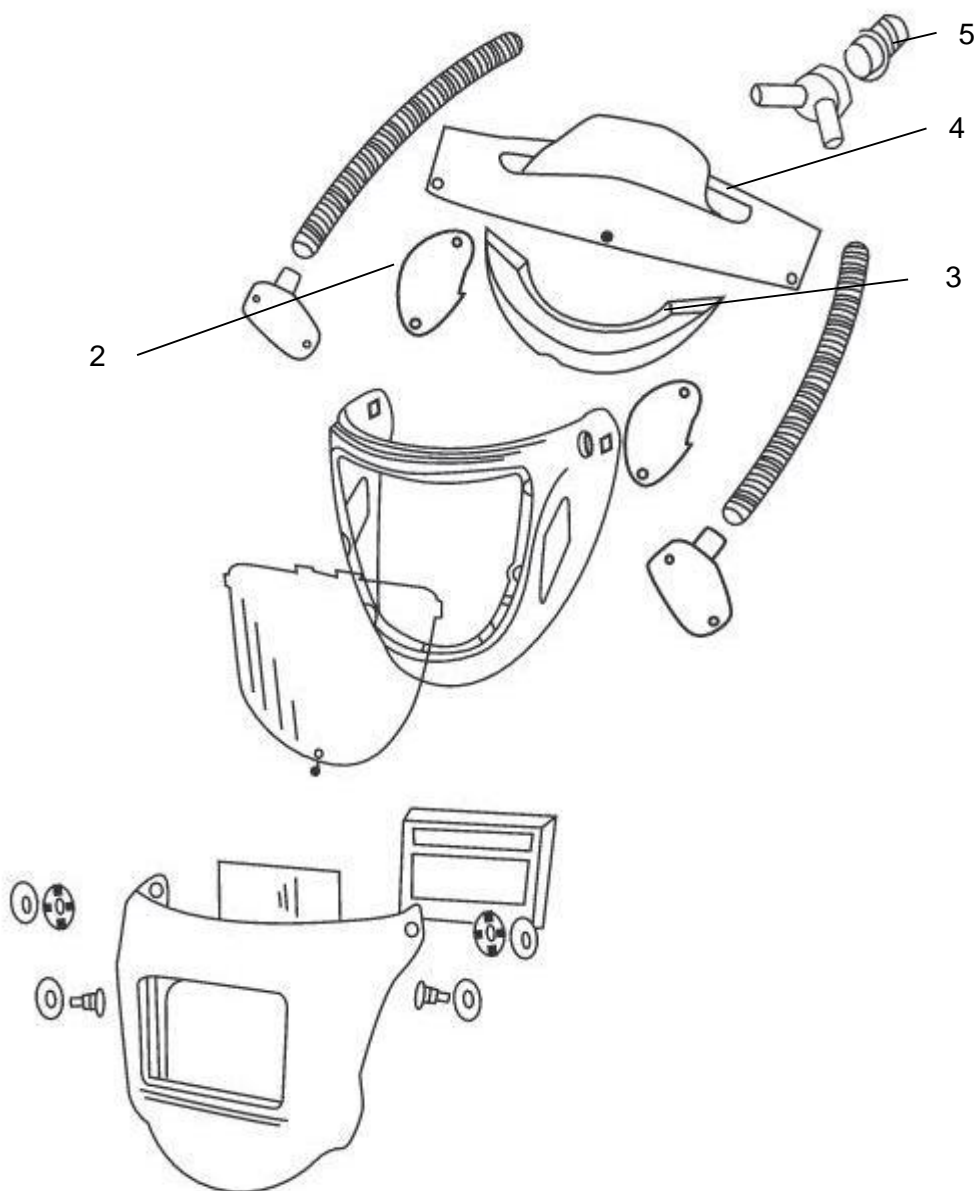
0700 001 005

0700 000 233

0000 595 216

0700 002 176

0700 000 348



# Albatross 1000

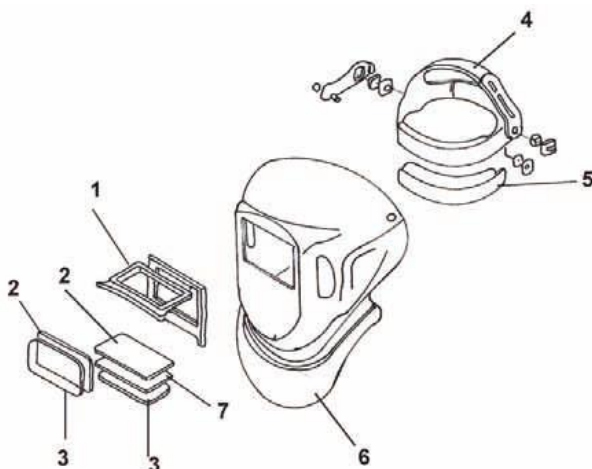
## 60x110 & 90x110

### Spare parts list



#### Spares for Albatross 1000 Standard and Fresh Air

1 Flip-up frame 60 x 110	0000 595 152
1 Flip-up frame 90 x 110	0349 501 084
2 Plastic cover lens 60 x 110	0160 307 001
2 Plastic cover lens 90 x 110	0160 307 004
3 Spring 60 x 110	0000 595 153
3 Spring 90 x 110	0000 595 383
4 Head gear	0700 000 243
5 Head seal	0000 595 216
6 Face seal	0000 595 178
7 Welding lens DIN 10, 60 x 110	0160 292 002
7 Welding lens DIN 10 90 x 110	0760 031 632
* Air duct including head gear Origo Air	0700 002 102
* Sweat band	0700 000 244
* Sweat band for air	0700 000 274
* Air hose adapter	0700 002 176



#### Spares for Albatross 1000 for Hard Hat

1 Flip-up frame 60 x 110	0000 595 152
1 Flip-up frame 90 x 110	0349 501 084
2 Plastic cover lens 60 x 110	0160 307 001
2 Plastic cover lens 90 x 110	0160 307 004
3 Spring 60 x 110	0000 595 153
3 Spring 90 x 110	0000 595 383
4 Welding lens DIN 10, 60 x 110	0160 292 002
4 Welding lens DIN 10, 90 x 110	0760 031 632
* Hard hat adapter	0700 001 005

