



VIKING™

Auto-Darkening Welding Helmets

The Performance You Need.
The Quality You Expect.™

www.lincolnelectric.eu

LINCOLN®
ELECTRIC
THE WELDING EXPERTS®



1840 SERIES
Tribal™
K3024-1-CE



2450 SERIES
Street Rod™
K3035-1-CE



3350 SERIES
Mojo™
K3101-1-CE

Processes

Stick, TIG, Pulsed TIG, MIG, Pulsed MIG, Flux-Cored, Gouging, Grinding

Viewing Area

1840 Series: 96 x 47 mm
2450 Series: 97 x 62 mm
3350 Series: 95 x 85 mm

Variable Shades

1840/2450 Series: DIN 9-13 • 3350 Series: DIN 6-13

Light to Dark Switching

1/25.000 sec.

Arc Sensors

1840 Series: 2 • 2450/3350 Series: 4

Light State/Grind Mode

DIN 3.5

TIG Amp Rating

1840/2450 Series: DC>3 Amp • AC>5 Amp
3350 Series: DC> 2 Amp • AC>4 Amp

Power Supply

1840 Series: Solar Powered w/ Battery Assist
2450/3350 Series: Solar Cells w/ Replaceable Lithium Batteries

Rugged. Light Weight. Feature-packed.

VIKING™ solar-powered auto-darkening helmets are loaded with features, built to demanding specs and packaged with a host of accessories.

FEATURES

- ▶ **Continuously variable control** - For shade and sensitivity.
 - Shade control.
 - 1840 9-13 Shade External Control
 - 2450 9-13 Shade Internal Control
 - 3350 6-13 Shade Internal Control
 - Sensitivity - Adjustable for different welding environments.
 - Delay - Adjustable from dark back to light state.
- ▶ **Light weight**
 - 1840 Black - 510 g
 - 2450 Black - 567 g
 - 3350 Black - 567 g
- ▶ **Grind mode** - Great for weld prep or post-weld clean up activities.
- ▶ **Magnifying 'cheater' lens capable**
- ▶ **Hard hat adapter capable**
- ▶ **What's Included**
 - Extra Cover Lenses Enclosed (2) inside and (5) outside.
 - Bandana.
 - Helmet Sport-Pak bag.
 - Replaceable lithium batteries. 2450 - Qty 2 • 3350 - Qty 1.



Solar Powered
With Battery Assist





1840 Black
K3023-1-CE



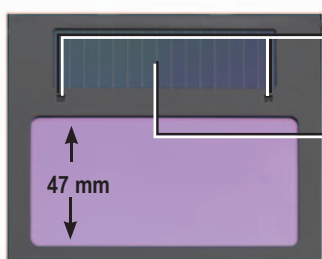
Tribal™
K3024-1-CE



Cruzin Sticks™
K3025-1-CE



110 X 90 mm CARTRIDGE



Two Independent Arc Sensors – Helps avoid blind spots that prevent auto-darkening.

Solar-Powered – With battery assist. No on/off switch to remember.

External Wired Variable Shade Control – For shade 9-13.

External Grind Mode – Use helmet as a grinding shield.

18 40 Series –

40 designates 90 x 110 mm cartridge compatible shell.

18 indicates the height of the viewing area in inches (1.85 in).



Continuously Variable Delay – 0.1 – 1.0 sec.

Continuously Variable Sensitivity – For use in different ambient light welding environments.

Substantial View Size – 96 x 47 mm.

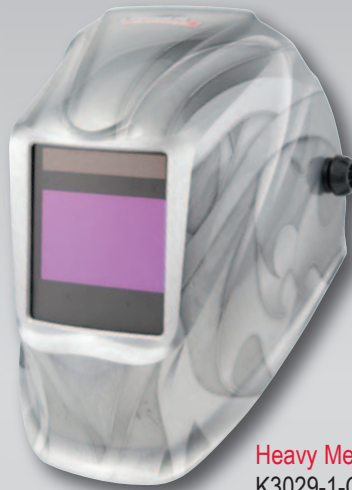
Magnifying 'Cheater' Lens Capable – Easy to add Lincoln Electric lenses. See back page for details.

Top Quality LCD Optics – Deliver a clear, natural view.

Meets CE, ANSI, and CAN/CSA Requirements – 3rd party testing of cartridge design.



2450 Black
K3028-1-CE



Heavy Metal™
K3029-1-CE



Street Rod™
K3035-1-CE



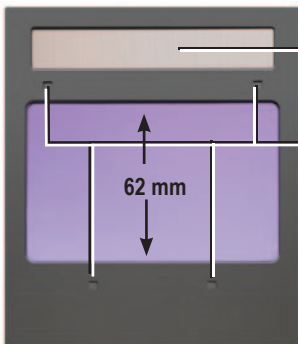
Hemisfear™
K3030-1-CE



Graveyard Shift™
K3099-1-CE



114 X 133 mm CARTRIDGE



- **Solar-Powered** – With user replaceable batteries. Two CR2450 lithium batteries required (included with helmet). No on/off switch to remember.
- **Rigid Protective Cartridge Frame Holder** – Securely locks cartridge into place (not shown).
- **Four Independent Arc Sensors** – Helps avoid blind spots that prevent auto-darkening.
- **24 50 Series** –
 - 50 designates 4.50 x 5.25 in. cartridge compatible shell.
 - 24 indicates the height of the viewing area in inches (2.44 in).



- **Low Battery Indicator Light**
- **Continuously Variable Delay** – 0.1 – 1.0 sec.
- **Internal Variable Shade Control** – For shade 9-13.
- **Continuously Variable Sensitivity** – For use in different ambient light welding environments.
- **Internal Grind Mode** – Use helmet as a grinding shield.
- **Substantial View Size** – 97 x 62 mm.
- **Magnifying 'Cheater' Lens Capable** – Easy to add Lincoln Electric lenses. See back page for details.
- **Top Quality LCD Optics** – Deliver a clear, natural view.
- **Meets CE, ANSI and CAN/CSA Requirements** – 3rd party testing of cartridge design.
- **Battery Compartments (CR 2450 lithium batteries required Qty – 2)**



3350 Black
K3034-1-CE



3350 Tribal™
K3074-1-CE



Motorhead™
K3100-1-CE



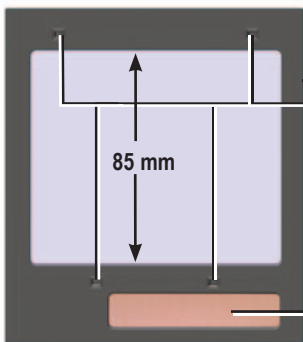
Terracuda™
K3039-1-CE



Mojo™
K3101-1-CE



114 X 133 mm CARTRIDGE



Rigid Protective Cartridge Frame Holder – Securely locks cartridge into place (not shown).

Four Independent Arc Sensors – Helps avoid blind spots that prevent auto-darkening.

33 50 Series –

50 designates 4.50 x 5.25 in. cartridge compatible shell.

33 indicates the height of the viewing area in inches (3.34 in).

Solar-Powered – With user replaceable battery. One CR2450 lithium battery required (included with helmet). No on/off switch to remember.



Shade Range Switch – Toggle between 6-9 or 9-13.

Substantial View Size – 95 x 85 mm.

Magnifying 'Cheater' Lens Capable – Easy to add Lincoln Electric lenses. See back page for details.

Top Quality LCD Optics – Deliver a clear, natural view.

Meets CE, ANSI and CAN/CSA Requirements – 3rd party testing of cartridge design.

Continuously Variable Delay – 0.1 – 1.0 sec.

Continuously Variable Sensitivity – For use in different ambient light welding environments.

Internal Grind Mode – Use helmet as a grinding shield.

Battery/Shade Test Control – Pre-test helmet shade before welding.

Battery Compartment (CR 2450 lithium battery required Qty – 1)

Low Battery Indicator Light

Internal Variable Shade Control – For shade 6-9 or 9-13 based on shade range selected.

SHARED FEATURES



Lightweight, Full Coverage Shell

- Sheds spatter and resists impact. Meets CE, ANSI Z87.1 and CAN/CSA Z94.3 certification.



Magnifying 'Cheater' Lens Capable

- For weld puddle clarity.
- Select from these lenses KP3046-100, KP3046-125, KP3046-150, KP3046-175, KP3046-200, KP3046-225, KP3046-250

Note

Part number extension is the diopter



Headgear

- Secure up stop keeps helmet up when not welding.
- Fore/Aft adjustment for distance from face.
- Soft absorbent sweat band.



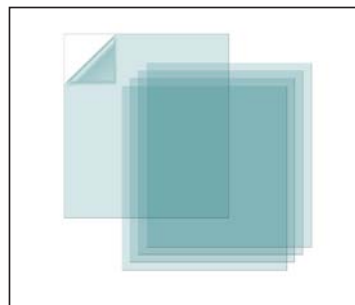
Hard Hat Adapter Capable

- For most hard hat models.
- Order KP3047-1.

GREAT BONUS ITEMS!



1840 Series Sport-Pak helmet bag includes Tribal™ bandana.



Extra Cover Lenses Enclosed

- Inside lens – QTY 2
- Outside lens – QTY 5



2450 and 3350 Series Sport-Pak helmet bag includes Foose® bandana.



In addition to a Sport-Pak, the 1840 Black, 2450 and 3350 Black Series helmets include a decal sheet. Design your own helmet!

TECHNICAL SPECIFICATIONS

REPLACEMENT PARTS

Sales Number	Description	Dimensions	Package Qty.	Works With		
				1840 Series	2450 Series	3350 Series
KP2853-1	700G/1840 ADF CARTRIDGE	DINS 110 X 90	1	•		
KP2932-1	2450 SERIES ADF CARTRIDGE	STD 4 X 5	1		•	•
KP3045-1	3350 SERIES ADF CARTRIDGE	STD 4 X 5	1			•
KP2899-1	750S SERIES ADF CARTRIDGE	STD 4 X 5	1			
KP2897-1	INSIDE CLEAR COVER LENS	96 x 51.6 x 1.0 mm	5	•		
KP2898-1	OUTSIDE CLEAR COVER LENS	114 x 133 x 1.0 mm	5		•	•
KP2913-1	OUTSIDE CLEAR COVER LENS	112 x 91.3 x 1.5 mm	5			
KP2931-1	INSIDE CLEAR COVER LENS	98.5 x 66.5 x 1.0 mm	5		•	
KP3043-1	OUTSIDE CLEAR COVER LENS	114 x 100 x 1.5 mm	5	•		
KP3044-1	3350 INSIDE CLEAR COVER LENS	94.7 x 89.7 x 1.0 mm	5			•
KP3046-100	CHEATER LENS 1.00 MAG	51 x 108 mm FRAME, 1.0 MAG	1	•	•	•
KP3046-125	CHEATER LENS 1.25 MAG	51 x 108 mm FRAME, 1.25 MAG	1	•	•	•
KP3046-150	CHEATER LENS 1.50 MAG	51 x 108 mm FRAME, 1.5 MAG	1	•	•	•
KP3046-175	CHEATER LENS 1.75 MAG	51 x 108 mm FRAME, 1.75 MAG	1	•	•	•
KP3046-200	CHEATER LENS 2.00 MAG	51 x 108 mm FRAME, 2.0 MAG	1	•	•	•
KP3046-225	CHEATER LENS 2.25 MAG	51 x 108 mm FRAME, 2.25 MAG	1	•	•	•
KP3046-250	CHEATER LENS 2.50 MAG	51 x 108 mm FRAME, 2.5 MAG	1	•	•	•
KP2930-1	SWEATBAND	N/A	2	•	•	•
KP2854-1	SWEATBAND	N/A	2			
KP2929-1	HEADGEAR W/SWEATBAND	N/A	1	•	•	•
KP2851-1	HEADGEAR W/SWEATBAND	N/A	1			
KP3047-1	HARD HAT ADAPTER	N/A	1	•	•	•

PRODUCT SPECIFICATIONS

Series	Lens Switching Speed (sec)	Variable Shade/Control	Magnifying "Cheater" Capable Lens	Grind Mode Shade/Control	Light Sensitivity Control	Delay Control Dark to Light (sec)	Arc Sensors	TIG Amp Rating	Cartridge Size (mm)	View Size in. (mm)	Temperature Range	Weight (g)
VIKING™ 1840	1/25,000	9-13 External	Yes	3.5 / External	Continuous	0.1 - 1.0 Fully Adjustable	2	DC > 3 Amp AC > 5 Amp	110 x 90	96 x 47	Operating: -10°C - +55°C Storage: -20°C - +70°C	510
VIKING™ 2450		9-13 Internal		3.5 / Internal			4			133 x 114		97 x 62
VIKING™ 3350		6-13 Internal						DC > 2 Amp AC > 4 Amp	95 x 85	567		



Foosé, Chip Foosé, Foosé Design and the Chip Foosé signature are registered trademarks of Foosé Design Inc. and are used with permission. This helmet is produced under license from Foosé Design, Inc. All rights reserved. www.foosedesign.com

Baltics

Lincoln Electric Nordic
Tel: +37 069 813 591
e.mail: emikalauskas@lincolnelectric.eu

Belgium

Lincoln Smitweld Belgium
Tel: +32 54 33 42 12
e.mail: infobe@lincolnelectric.eu

Denmark

Lincoln Electric Nordic
Tel: +45 236 400 30
e.mail: upersson@lincolnelectric.eu

Finland

Lincoln Electric Nordic
Tel: +35 8 10 52235 00
e.mail: jpasanen@lincolnelectric.eu

France

Lincoln Electric France
Tel: +33 2 32 11 40 40
e.mail: infofr@lincolnelectric.eu

Germany

Lincoln Electric Deutschland
Tel: +49 2102 713960
e.mail: infode@lincolnelectric.eu

**Italy, Albania, Bosnia and Herzegovina,
Croatia, Greece, Macedonia, Malta,
San Marino, Slovenia**

Lincoln Electric Italia
Tel: +39 010 754 111
e.mail: infoit@lincolnelectric.eu

The Netherlands

Lincoln Smitweld
Tel: +31 24 3522 911
e.mail: infonl@lincolnelectric.eu

Norway

Lincoln Electric Nordic
Tel: +46 706061 769
e.mail: mabrahamsson@lincolnelectric.eu

Poland

Lincoln Electric Bester Sp.zo.o
Tel: +48 74 64 61 100
e.mail: infopl@lincolnelectric.eu

Portugal

Electro Arco
Tel: +351 21 238 7300
e.mail: vendas_pt@lincolnelectric.eu

Russia

Lincoln Electric Russia
Tel: +7 (495) 6609404
e.mail: russia@lincolnelectric.eu

Spain

Lincoln Electric Iberia S.L.
Tel: +34 93 685 96 00
e.mail: infoes@lincolnelectric.eu

Sweden

Lincoln Electric Nordic
Tel: +46 70 6061 769
e.mail: mabrahamsson@lincolnelectric.eu

UK/ Ireland

Lincoln Electric UK
Tel: +44 114 287 2401
e.mail: infouk@lincolnelectric.eu

CUSTOMER ASSISTANCE POLICY

The business of Lincoln Electric Europe is manufacturing and selling high quality welding equipment, consumables and cutting equipment. Our challenge is to meet the needs of the customer and to exceed their expectations. On occasion, purchasers may ask Lincoln Electric for advice or information about their use of our products. We respond to our customers based on the best information in our possession at that time. Lincoln Electric is not in a position to warrant or guarantee such advice and assumes no responsibility, with respect to such information or advice. We expressly disclaim any warranty of any kind, including any warranty of fitness for any customer's particular purpose, with respect to such information or advice. As a matter of practical consideration, we also cannot assume any responsibility for updating or correcting any such information or advice once it has been given, nor does the provision of information or advice create, expand or alter any warranty with respect to the sale of our products.

Lincoln Electric is a responsive manufacturer, but the selection and use of specific products sold by Lincoln Electric is solely within the control of, and remains the sole responsibility of the customer. Many variables beyond the control of Lincoln Electric affect the results obtained in applying these types of fabrication methods and service requirements.

Subject to change - This information is accurate to the best of our knowledge at the time of printing.